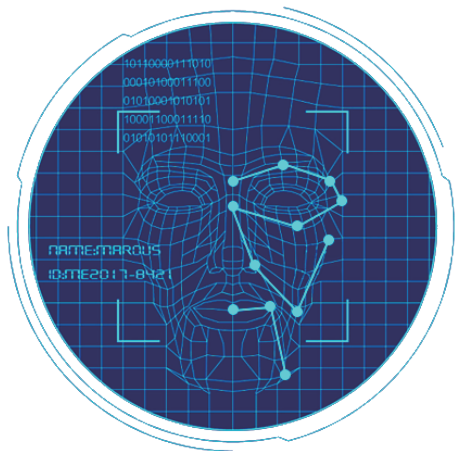


Smart Device 2000

Quick Start Guide



Please read the Quick Start Guide carefully before using the product and keep it.

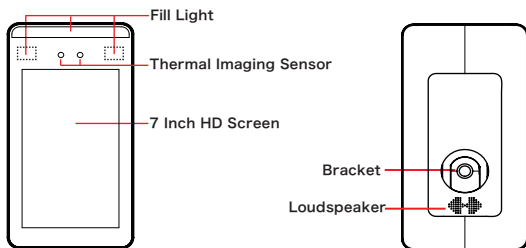
About this Manual

- Use this manual as a guide. The photos, graphics, icons, etc. provided in the manual are for explanation purposes only, and may differ from the specific products. Please prevail in kind.
- This manual may be upgraded later for product upgrading or other request needs; For the latest version, pls contact our after sales.

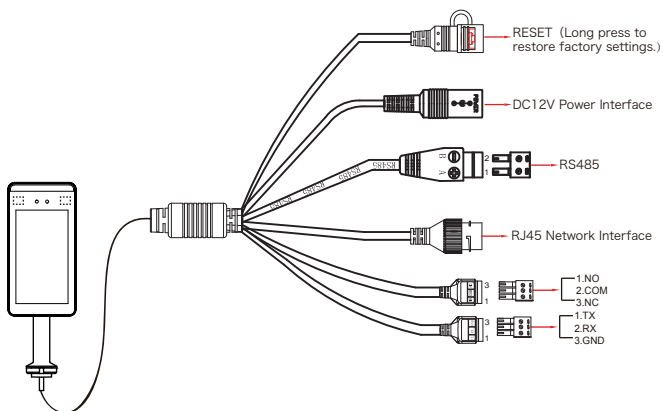
Responsibility Statement

- To the fullest extent permitted by law , product described in this manual (hardware, software, firmware,etc included) is provided "as is", No expressed warranties or implied warranties is made by us, including but not limited to its marketability, quality-satisfaction; special purpose-serving, Non infringement of third party rights; No responsibility is bared by us for any special, collateral, incidental or indirect damage caused by using our manual or product, including but not limited to damage on commercial profit loss, date or file loss.
- Regarding to the product with internet access, the use of product shall be wholly at your own risks. Our company shall not take any responsibilities for abnormal operation, privacy leakage or other damages resulting from cyber attack hacker attack, virus inspection, or other internet security risks; however, our company will provide timely technical support if required.
- Regulatory approaches are influenced by jurisdictions.Before using this product, please check all relevant laws in your jurisdiction to ensure that your use confirms the applicable laws.If the product is used with illegal products or used for other improper purposes such as infringing the rights of third parties, the company shall not assume any responsibility.
- In the event of any conflicts between this manual and the applicable law, the legal provisions shall prevail.

Products Appearance



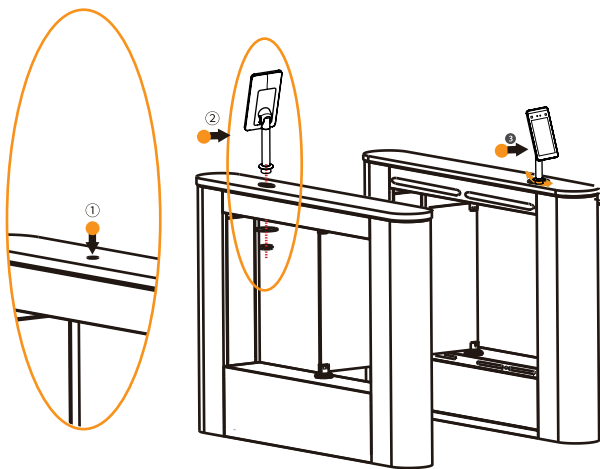
Wire Interface



Installation

Install the device on the gate:

- Open a hole with a diameter of $D = 35\text{mm}$ on the gate, and the recommended position is $1/3$ to $1/4$ from the entrance end;
- Insert the equipment mounting bracket into the opening of the gate and fix the equipment nut from the inside of the gate;
- Adjust the device to a suitable angle (angle between 5° - 15° vertical).

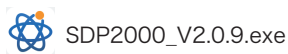


Boot:

According to the introduction of the wire interface, connect the device to the network so that the device and the configuration computer are under the same router, and power on.

Platform Installation

Step 1: Under the Windows operating system, double-click "SDP2000_VX.X.X.exe", and follow the prompts to perform the installation.




Step 2: After the installation is complete, the desktop displays the SDP2000 Sever platform icon.

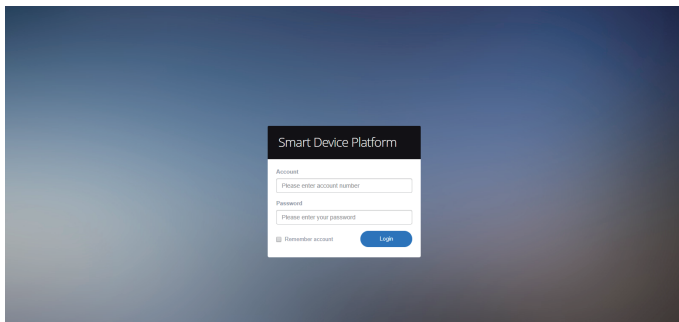


SDP2000

Log In

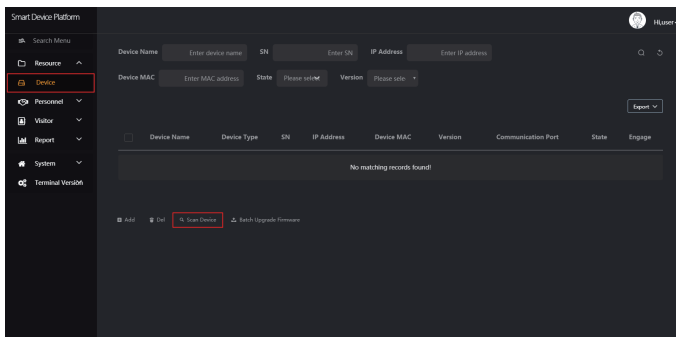
Step 1: Double-click on the desktop "  " to enter the login interface. (Google Chrome or Firefox browser is recommended).

Step 2: Enter the user name "admin", password "admin", and click "Login" to log in to the LAN platform.

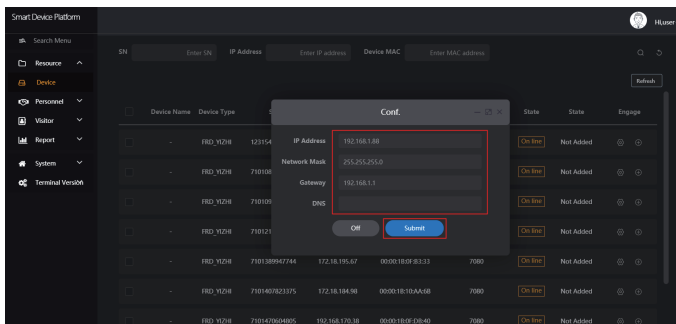


Add Device

Step 1: After logging into the platform, check "Device - Scan Device".



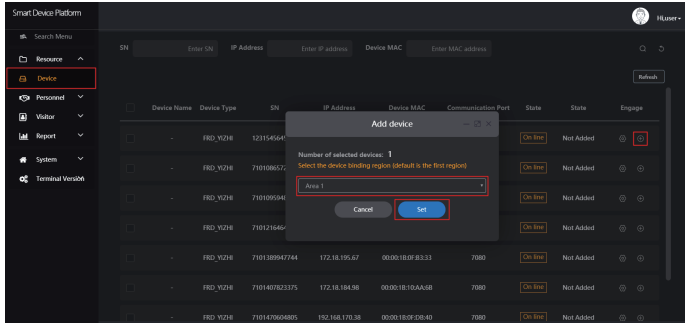
Step 2: Select the device, click "⚙️" to modify the device IP, and click "Submit".



The factory default values of the device are as follows:

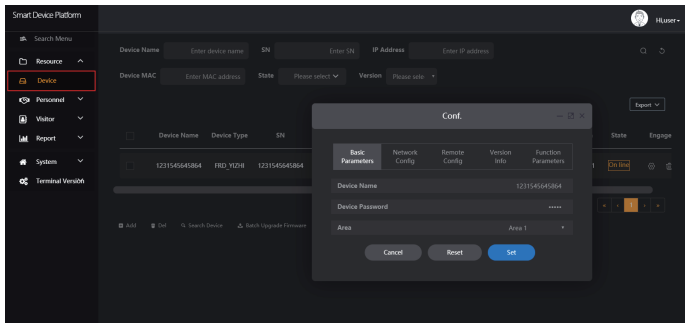
IP Address : "192.168.1.88" Password : "12345" Port : "7080"

Step 3: Select the device and click "⊕" or "➕ Add", select the area, and click "Set".



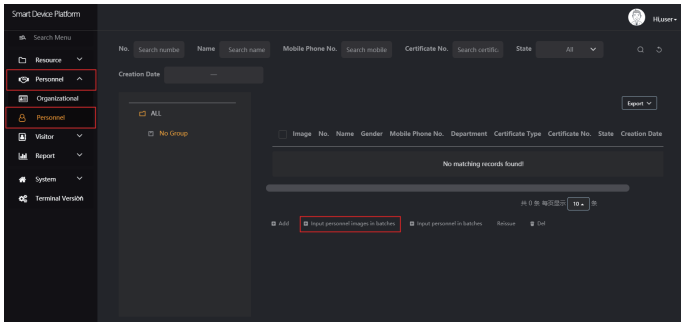
Device Configuration

After logging in to the platform, enter the "Device" interface and click "⚙️" to configure the basic parameter and other parameter of network, remote, function and delete the device.



Import Face Library

Step 1: [Import personnel images in batches] After logging into the platform, click "Personnel - Personnel - Import personnel images in batches" - select pictures - "Upload" and the pictures are added into the device.



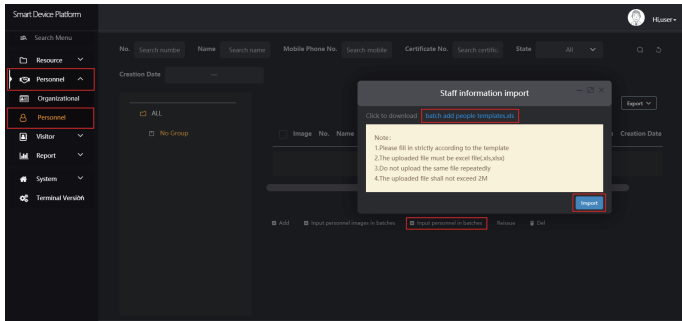
[Improve personnel information in batches] When importing pictures in batches, the pictures must meet the following requirements:



Note

1. The picture naming format can be set as: name.jpg, name_department name.jpg, name_department name_personnel number.jpg (the department name must exist in the system; the personnel number must be unique).
2. Ensure a clear face picture and the total size must be less than 80M.

Step 2: Click "Import personnel in batches - batch add people templates.xls", download "Templates", enter personnel information in the template according to the picture, then save the template, click "Import", and import the saved personnel information template.



Step 3: After the gallery is added into device it can realize face recognition.



**Note**

Measurement distance: 0.5m -1.0m, 0.75m is best, it is recommended to paste the test mark on the floor.

